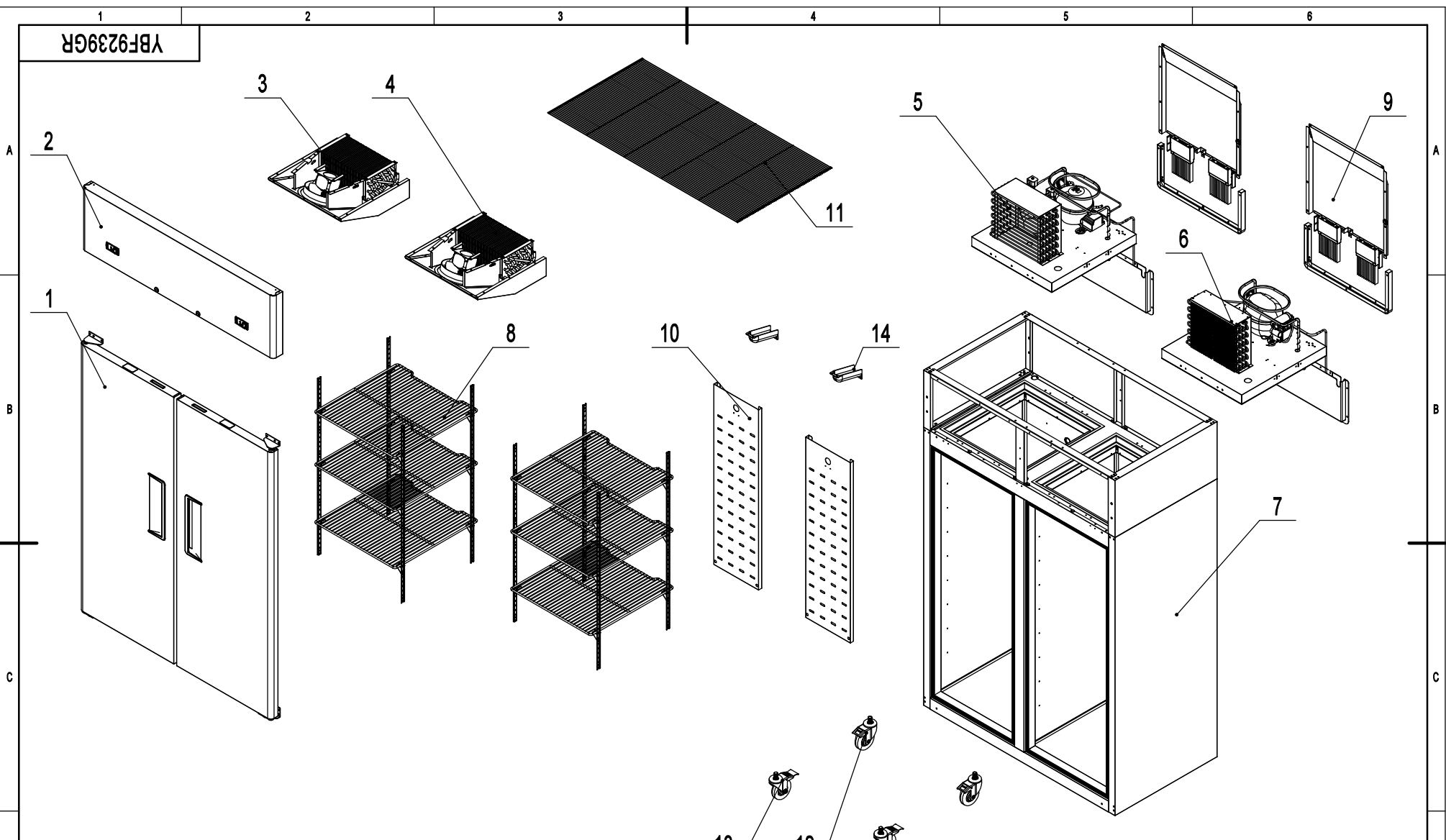
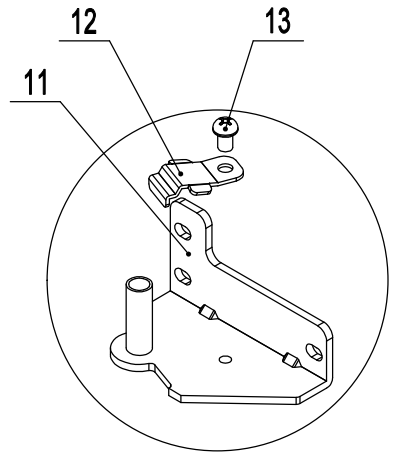
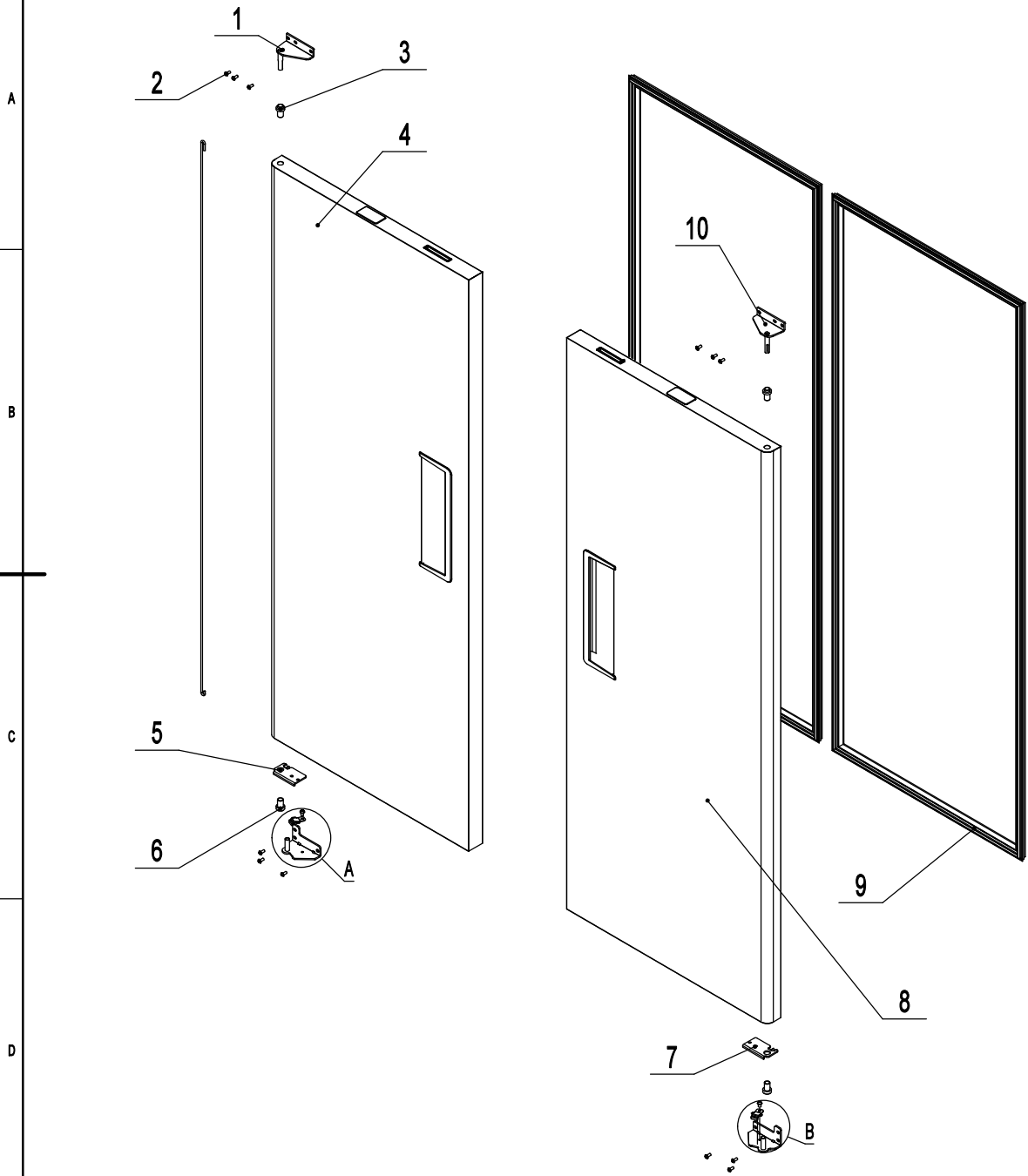


YBF9239GR

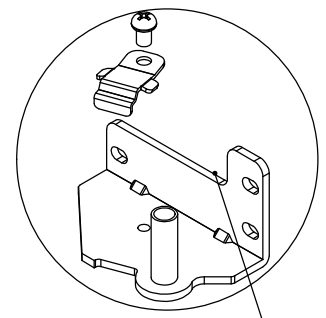


14	W0409081	A drain protection	排水管保护件	ABS	2		7	92390105	Cabinet Assembly	箱体组件		1	
13	B0604421	4" Castor With Brake	4寸带刹车重磅万向轮(剃定向)		2		6	92390204	R Comp&Cond Assembly	冷藏冷凝组件		1	
12	B0604413	4" Castor Without Brake	4寸重磅万向轮(脚轮)		2		5	92390104	F Comp&Cond Assembly	冷冻冷凝组件		1	
11	W0402693	At the top of the net	箱体顶部保护网		1		4	92390203	R Evaporator Assembly	冷藏蒸发组件		1	D
10	92001026-430	Back wind deflector	后背导风板	SUS430	2		3	92390103	F Evaporator Assembly	冷冻蒸发组件		1	
9	92280108	Water evaporation assembly	水蒸发组件		2		2	92390102	Top Panel Assembly	前罩组件		1	
8	92390106	Shelf Assembly	食品架组件		2		1	92180101	Soilid Door Assembly	门体组件		1	
序号	Material code	English Name	Chinese Name	MATERIAL	QUANTITY	Remark							

92180101



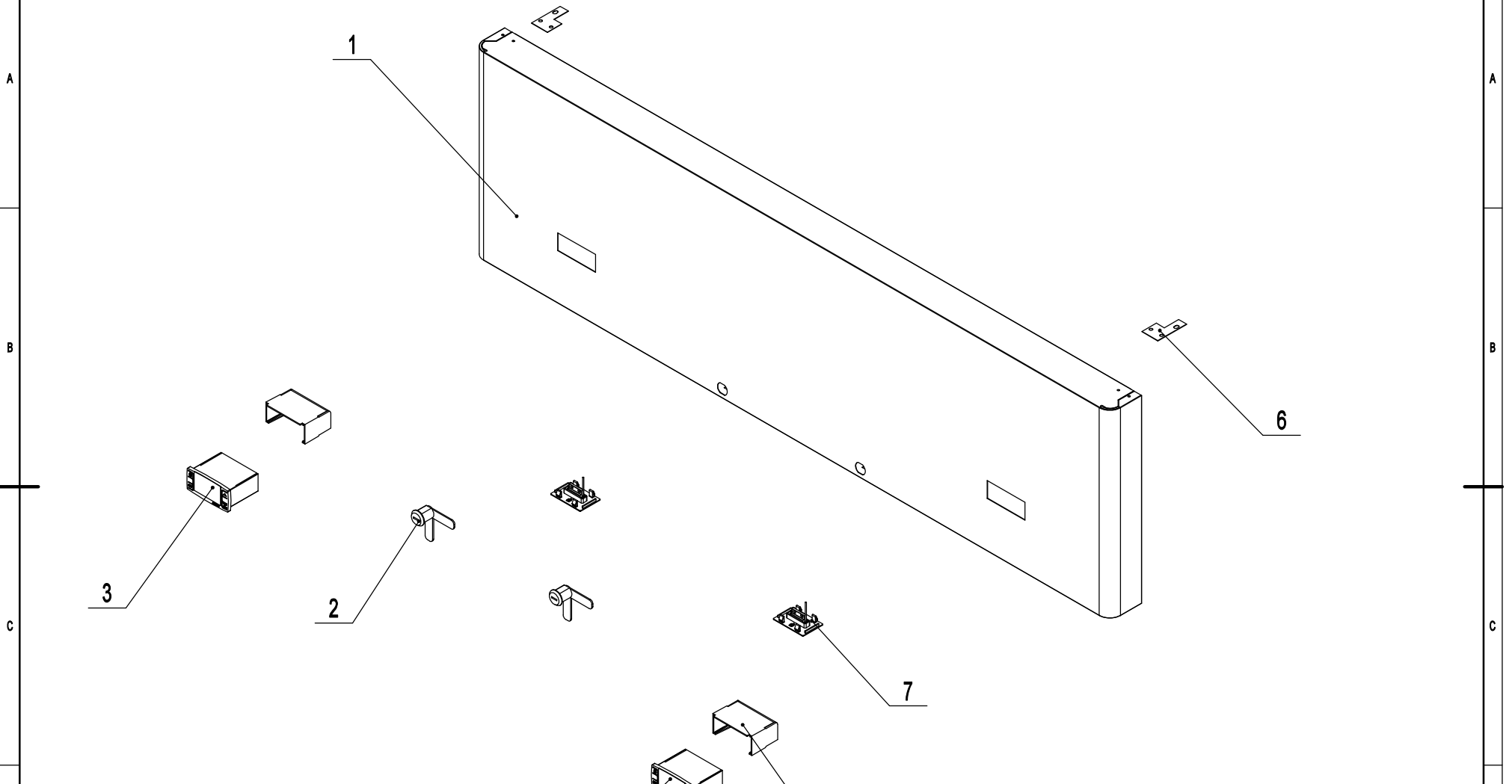
局部放大图A



局部放大图B

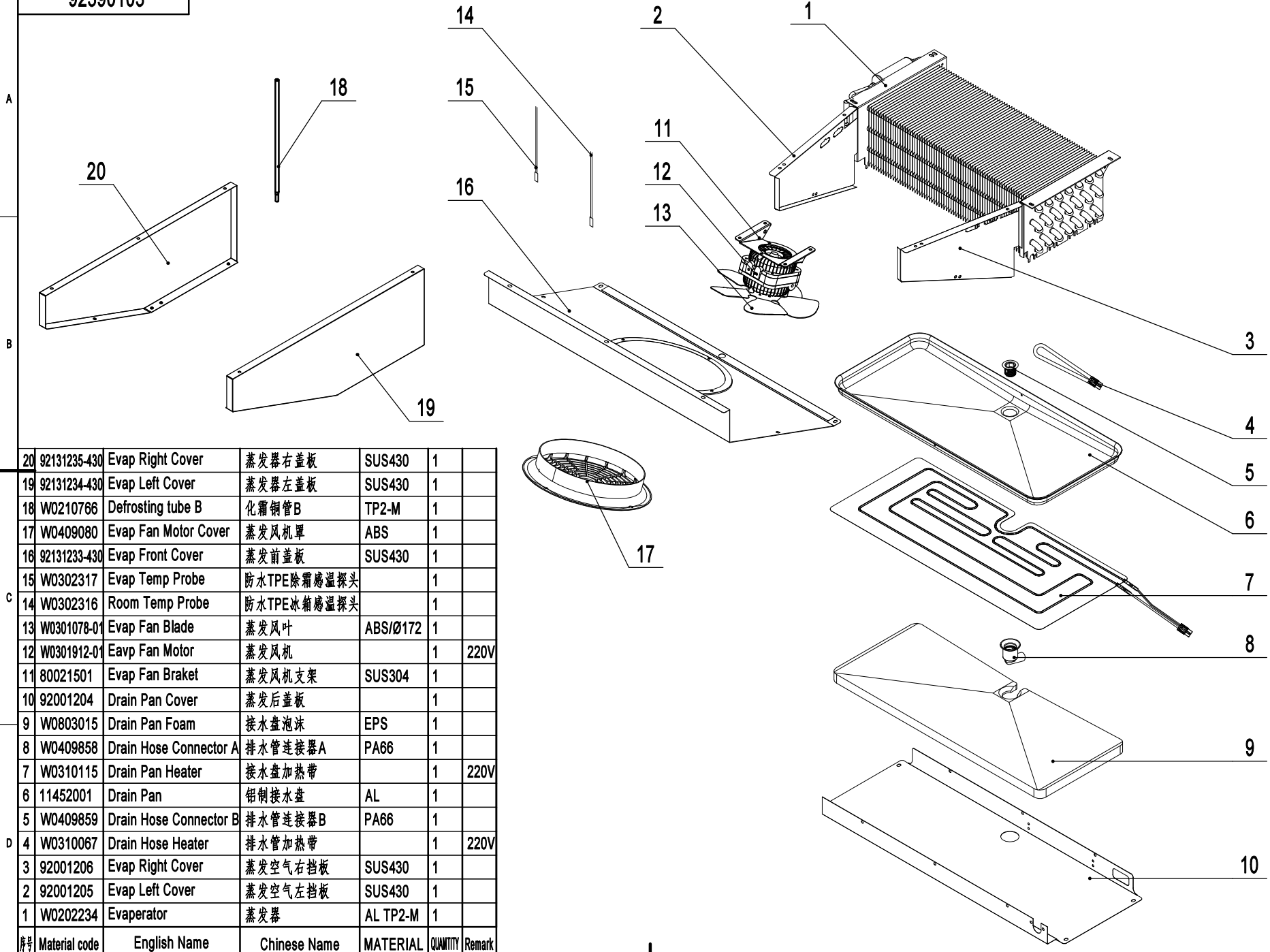
15	W0604944	Door Spring Bar	门体发条		2	
14	W0604037	Right-Bottom Hinge	右下铰链	SUS304	1	
13	B0507015	SS Screw M6x8	M6x8不锈钢螺丝		2	
12	W0604038	Door Brake-Bottom	门自锁装置-下	SUS304	2	
11	W0604036	Left-Bottom Hinge	左下铰链	SUS304	1	
10	W0604033	Right-Top Hinge	右上铰链	SUS304	1	
9	W0404904	Door Gasket	门封条		2	
8	92180224	Right Door	右门体		1	
7	W0604030	Door Brake -Right	门自锁装置-右	SUS304	1	
6	W0409843	Door Shaft Sleeve-Bottom	门体轴套	PA66	2	
5	W0604031	Door Brake -Left	门自锁装置-左	SUS304	1	
4	92180225	Left Door	左门体		1	
3	W0409842	Door Shaft Sleeve-Top	门体轴套	PA66	2	
2	B0502207	SS Screw M5x12	M5x12不锈钢螺丝		12	
1	W0604032	Left-Top Hinge	左上铰链	SUS304	1	
序号	Material code	English Name	Chinese Name	MATERIAL	QUANTITY	Remark

92390102



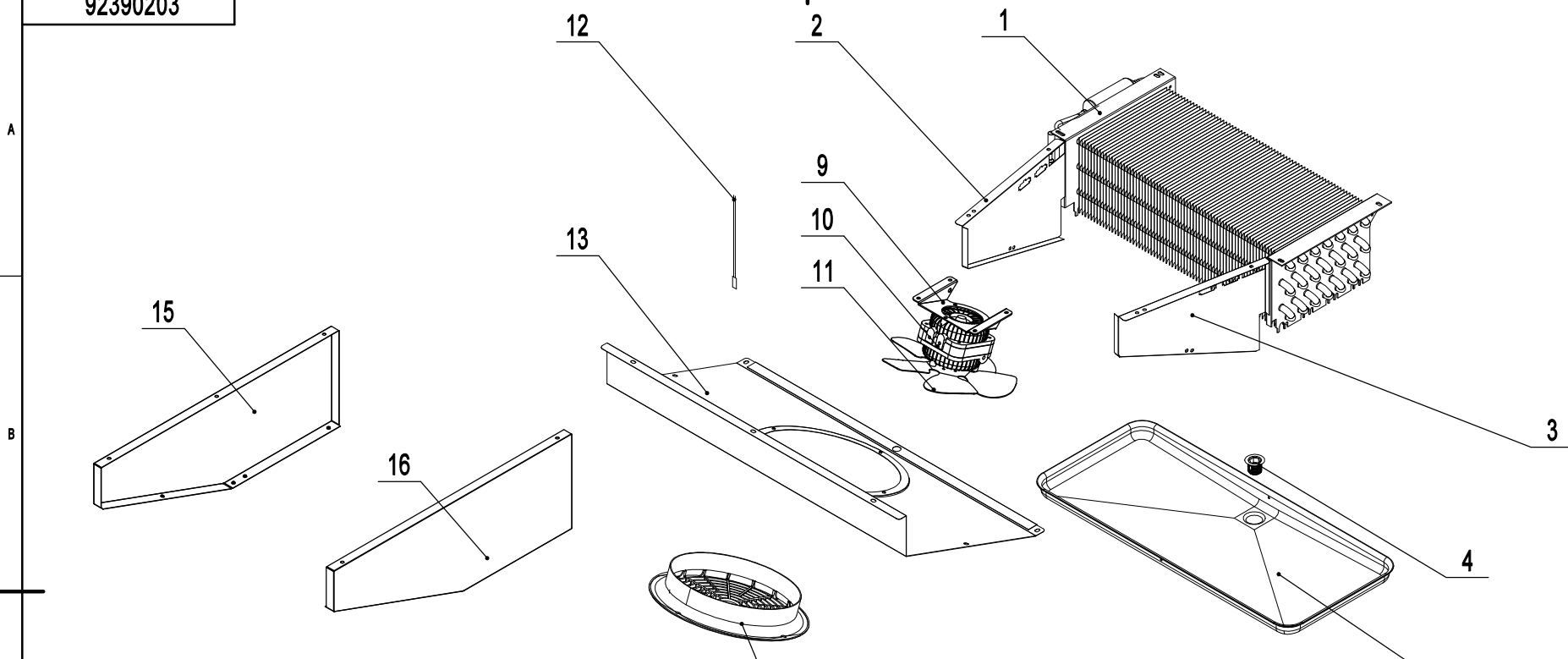
7	W0409161	Gate Magnetic Switch	门磁开关组件		2	
6	80021404	Fastener For Top Panel	上单板加固件	SUS430	2	
5	W0302303	Controller Cover	防水后盖		2	
4	W0302168-CRAA8D10	Digital Controller	双点电子温控器 (门磁开关程序)		1	220V
3	W0302168-CF0G4D10	Digital Controller	三点电子温控器 (蒸气门磁开关程序)		1	220V
2	W0604007	Lock	冰箱锁		2	
1	92121411-430	Front Top Panel	前单板(双温)	SUS430	1	
序号	Material code	English Name	Chinese Name	MATERIAL	QUANTITY	Remark

92390103

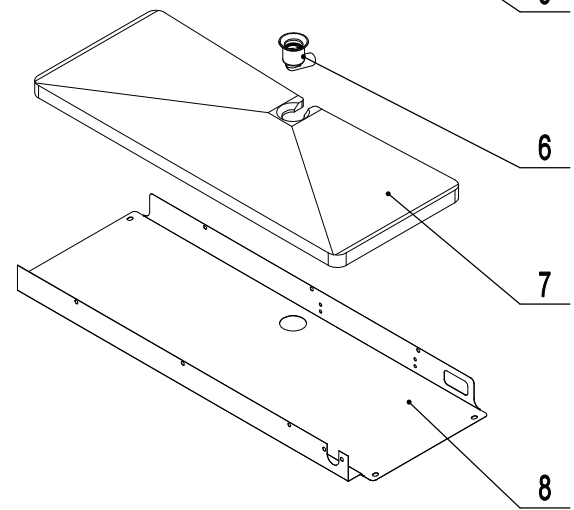


20	92131235-430	Evap Right Cover	蒸发器右盖板	SUS430	1	
19	92131234-430	Evap Left Cover	蒸发器左盖板	SUS430	1	
18	W0210766	Defrosting tube B	化霜铜管B	TP2-M	1	
17	W0409080	Evap Fan Motor Cover	蒸发风机罩	ABS	1	
16	92131233-430	Evap Front Cover	蒸发前盖板	SUS430	1	
15	W0302317	Evap Temp Probe	防水TPE除霜感温探头		1	
14	W0302316	Room Temp Probe	防水TPE冰箱感温探头		1	
13	W0301078-01	Evap Fan Blade	蒸发风叶	ABS/Ø172	1	
12	W0301912-01	Evap Fan Motor	蒸发风机		1	220V
11	80021501	Evap Fan Bracket	蒸发风机支架	SUS304	1	
10	92001204	Drain Pan Cover	蒸发后盖板		1	
9	W0803015	Drain Pan Foam	接水盘泡沫	EPS	1	
8	W0409858	Drain Hose Connector A	排水管连接器A	PA66	1	
7	W0310115	Drain Pan Heater	接水盘加热带		1	220V
6	11452001	Drain Pan	铝制接水盘	AL	1	
5	W0409859	Drain Hose Connector B	排水管连接器B	PA66	1	
4	W0310067	Drain Hose Heater	排水管加热带		1	220V
3	92001206	Evap Right Cover	蒸发空气右挡板	SUS430	1	
2	92001205	Evap Left Cover	蒸发空气左挡板	SUS430	1	
1	W0202234	Evaporator	蒸发器	AL TP2-M	1	
序号	Material code	English Name	Chinese Name	MATERIAL	QUANTITY	Remark

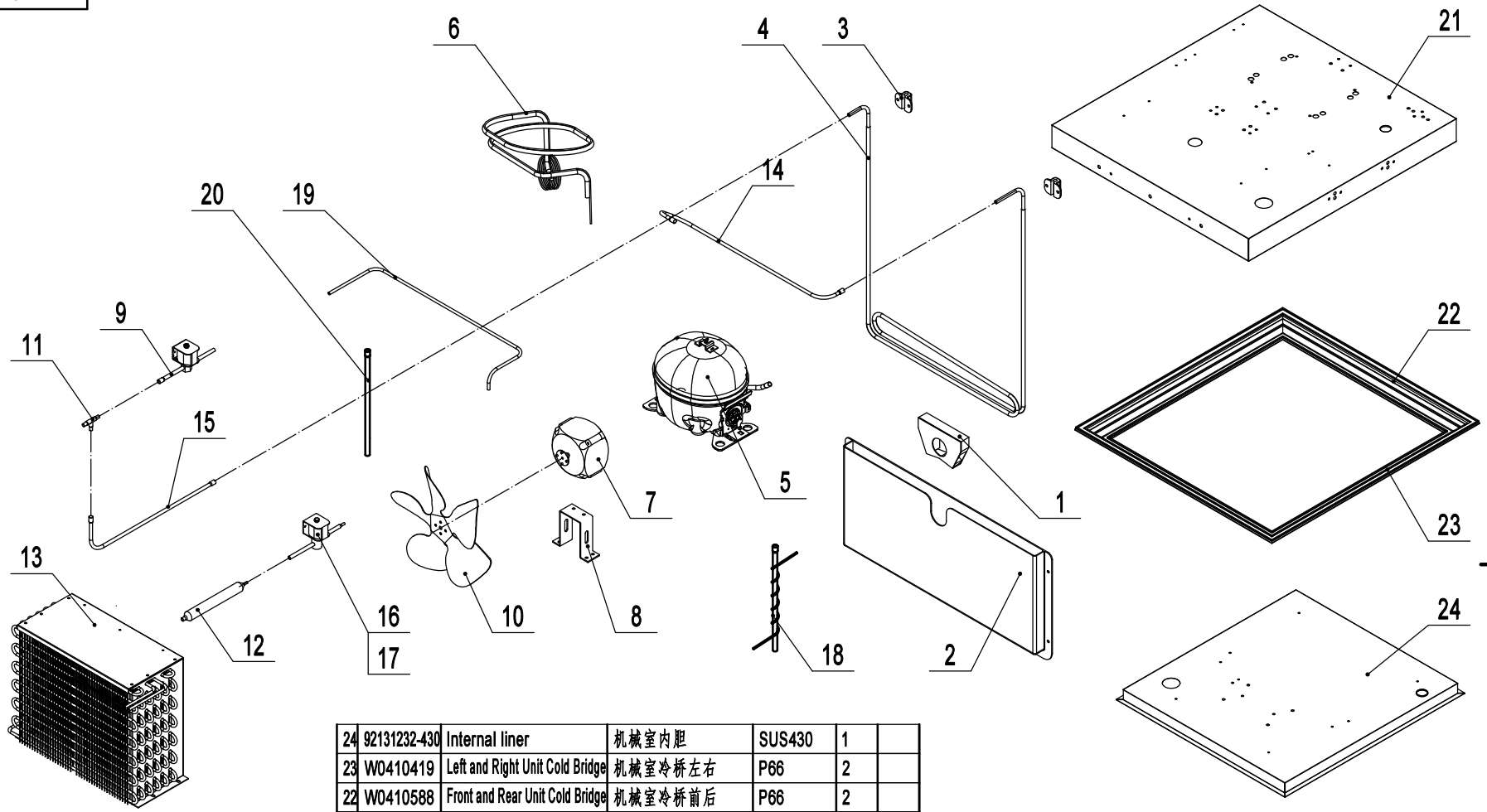
92390203



16	92131235-430	Evap Right Cover	蒸发器右盖板	SUS430	1	
15	92131234-430	Evap Left Cover	蒸发器左盖板	SUS430	1	
14	W0409080	Evap Fan Motor Cover	蒸发风机罩	ABS	1	
13	92131233-430	Evap Front Cover	蒸发前盖板	SUS430	1	
12	W0302316	Room Temp Probe	防水TPE冰箱感温探头		1	
11	W0301078-01	Evap Fan Blade	蒸发风叶	ABS/Ø172	1	
10	W0301912-01	Evap Fan Motor	蒸发风机		1	220V
9	80021824	Evap Fan Bracket	蒸发风机支架	SUS304	1	
8	92001204	Drain Pan Cover	蒸发后盖板		1	
7	W0803015	Drain Pan Foam	接水盘泡沫	EPS	1	
6	W0409858	Drain Hose Connector A	排水管连接器A	PA66	1	
5	11452001	Drain Pan	铝制接水盘	AL	1	
4	W0409859	Drain Hose Connector B	排水管连接器B	PA66	1	
3	92001206	Evap Right Cover	蒸发空气右挡板		1	
2	92001205	Evap Left Cover	蒸发空气左挡板		1	
1	W0202128	Evaporator	蒸发器	AL TP2-M	1	
序号	Material code	English Name	Chinese Name	MATERIAL	QUANTITY	Remark



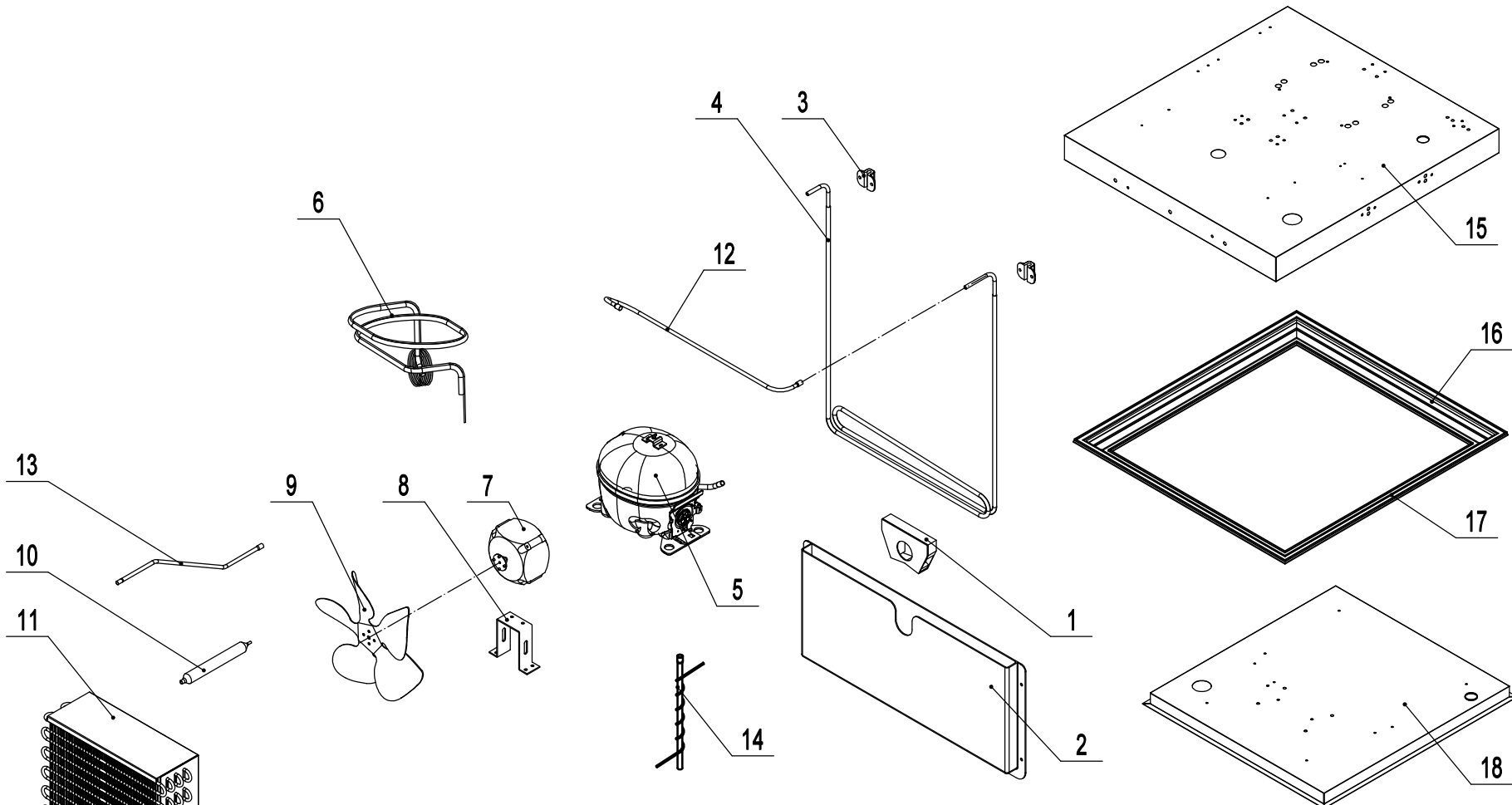
92390104



24	92131232-430	Internal liner	机械室内胆	SUS430	1														
23	W0410419	Left and Right Unit Cold Bridge	机械室冷桥左右	P66	2														
22	W0410588	Front and Rear Unit Cold Bridge	机械室冷桥前后	P66	2														
21	92131231	Housing of the machine set	机械室外壳		1														
20	W0210766	Defrosting tube B	化霜铜管B	TP2-M	1		9	W0205027	Solenoid valve body	电磁阀阀体			1						
19	W0210765	Defrosting tube A	化霜铜管A	TP2-M	1		8	80061601	Condenser Fan Braket	冷凝风机支架			1						
18	W0210415	Low Presure Coil Back to Comp	回气管(B)	TP2-M	1		7	W0301916	Condenser Fan	冷凝风机			1						220V
17	W0205031	Solenoid valve body	电磁阀阀体		1		6	W0210767	Low Presure Coil Back to Comp	回气管(A)	TP2-M		1						
16	W0205024	Solenoid valve coil	电磁阀线圈		2	220V	5	W0201326	Compressor	R290压缩机	NUM90LA1		1						220V
15	W0210773	Connecting Coil to tee	连接管(散热管-三通)	TP2-M	1		4	W0210413	High Presure Coil	散热管	TP2-M		1						
14	W0210771	Connecting Coil From Compressor	连接管(压缩机-散热管)	TP2-M	1		3	W0413062	Rubber Fixing Block	散热管固定垫	RUBBER(橡胶)		2						
13	W0203074	Condenser	冷凝器	GI TP2-M	1		2	W0409071	Back High Presure Coil Pan	后背蒸发包	PP		1						
12	W0204101	Dry Filter	干燥过滤器	TP2-M	1		1	W0409078	Air pressure balance device	后背蒸发包水封	ABS		1						
11	W0208017	'T' Three way connecting pipe	T型三通	TP2-M	1														
10	W0301061	Condenser Fan Blade	冷凝风叶	AL/Ø230	1														
							序号	Material code	English Name	Chinese Name	MATERIAL	QUANTITY	Remark						

92390204

A
B
C
D

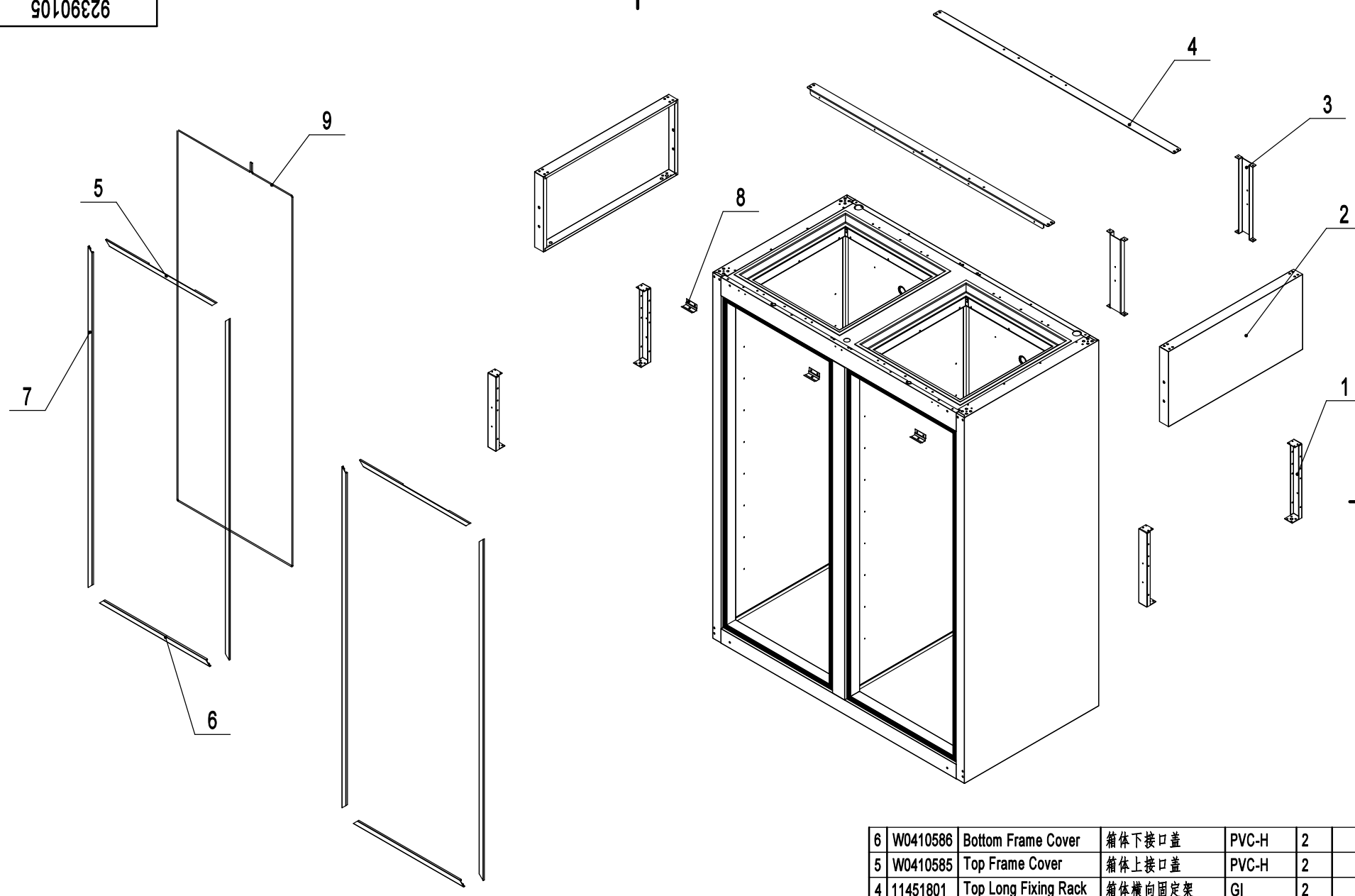


						9	W0301061	Condenser Fan Blade	冷凝风叶	AL/Ø230	1	
						8	80061601	Condenser Fan Bracket	冷凝风机支架		1	
						7	W0301916	Condenser Fan	冷凝风机		1	220V
						6	W0210756	Low Pressure Coil Back to Comp	回气管(A)	TP2-M	1	
						5	W0201160	Compressor	R600a压缩机		1	220V
						4	W0210413	High Pressure Coil	散热管	TP2-M	1	
						3	W0413062	Rubber Fixing Block	散热管固定垫	RUBBER(橡胶)	2	
						2	W0409071	Back High Pressure Coil Pan	后背蒸发包	PP	1	
						1	W0409078	Air pressure balance device	后背蒸发包水封	ABS	1	
						序号	Material code	English Name	Chinese Name	MATERIAL	QUANTITY	Remark
18	92131232-430	Internal liner	机械室内胆	SUS430	1							
17	W0410419	Left and Right Unit Cold Bridge	机械室冷桥左右	P66	2							
16	W0410588	Front and Rear Unit Cold Bridge	机械室冷桥前后	P66	2							
15	92131231	Housing of the machine set	机械室外壳		1							
14	W0210415	Low Pressure Coil Back to Comp	回气管(B)	TP2-M	1							
13	W0210774	Connecting Coil	连接管(散热管-冷凝器)	TP2-M	1							
12	W0210772	Connecting Coil From Compressor	连接管(压缩机-散热管)	TP2-M	1							
11	W0203072	Condenser	冷凝器	GI TP2-M	1							
10	W0204101	Dry Filter	干燥过滤器	TP2-M	1							

1 2 3 4 5 6

901068Z6

A
B
C
D

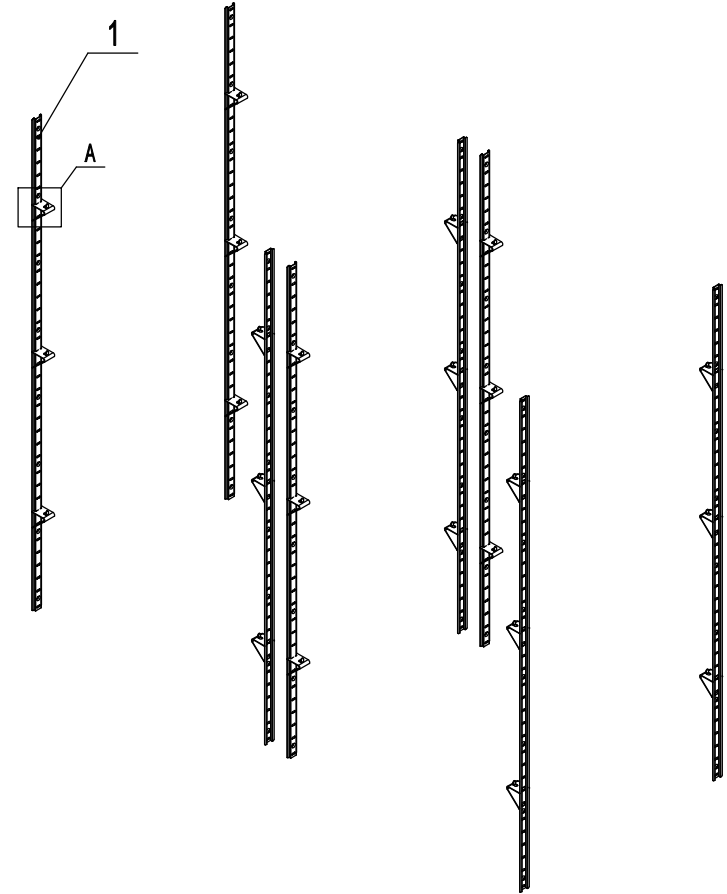
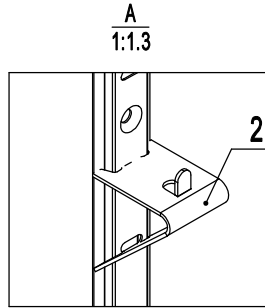
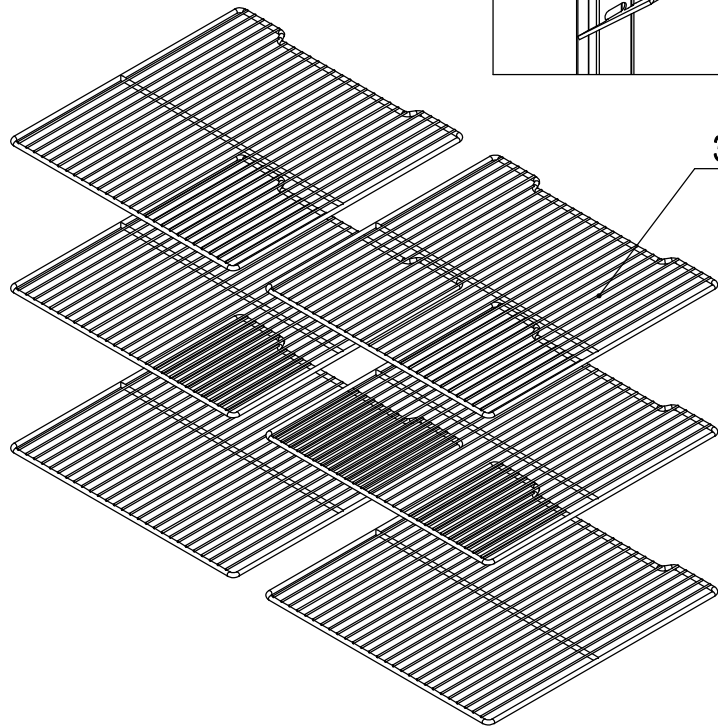


9	W0310104	Cabinet Heater PIPE	箱体加热带	GI	1	
8	80021403	Fastener For Top Panel	上盖板下加固件	SUS430	3	
7	W0410410	Left-Right Frame Cover	箱体左右接口盖	PVC-H	4	

6	W0410586	Bottom Frame Cover	箱体下接口盖	PVC-H	2	
5	W0410585	Top Frame Cover	箱体上接口盖	PVC-H	2	
4	11451801	Top Long Fixing Rack	箱体横向固定架	GI	2	D
3	11451502	Middle Side Panel Frame	箱体中支撑架	GI	2	
2	11451501	Side Panel Frame	箱体支撑架	GI	4	
1	92040906	Top Side Panel	箱体上侧板	SUS430	2	
序号	Material code	English Name	Chinese Name	MATERIAL	QUANTITY	Remark

1 2 3 4 5 6

90106876



3	W0402688	Shelf	食品架		6	
2	66490313	Shelf Support Clip	食品架搁脚	SUS430	24	
1	80037410	Pilaster For Shelf	食品架隔条	SUS430	8	
序号	Material code	English Name	Chinese Name	MATERIAL	QUANTITY	Remark

